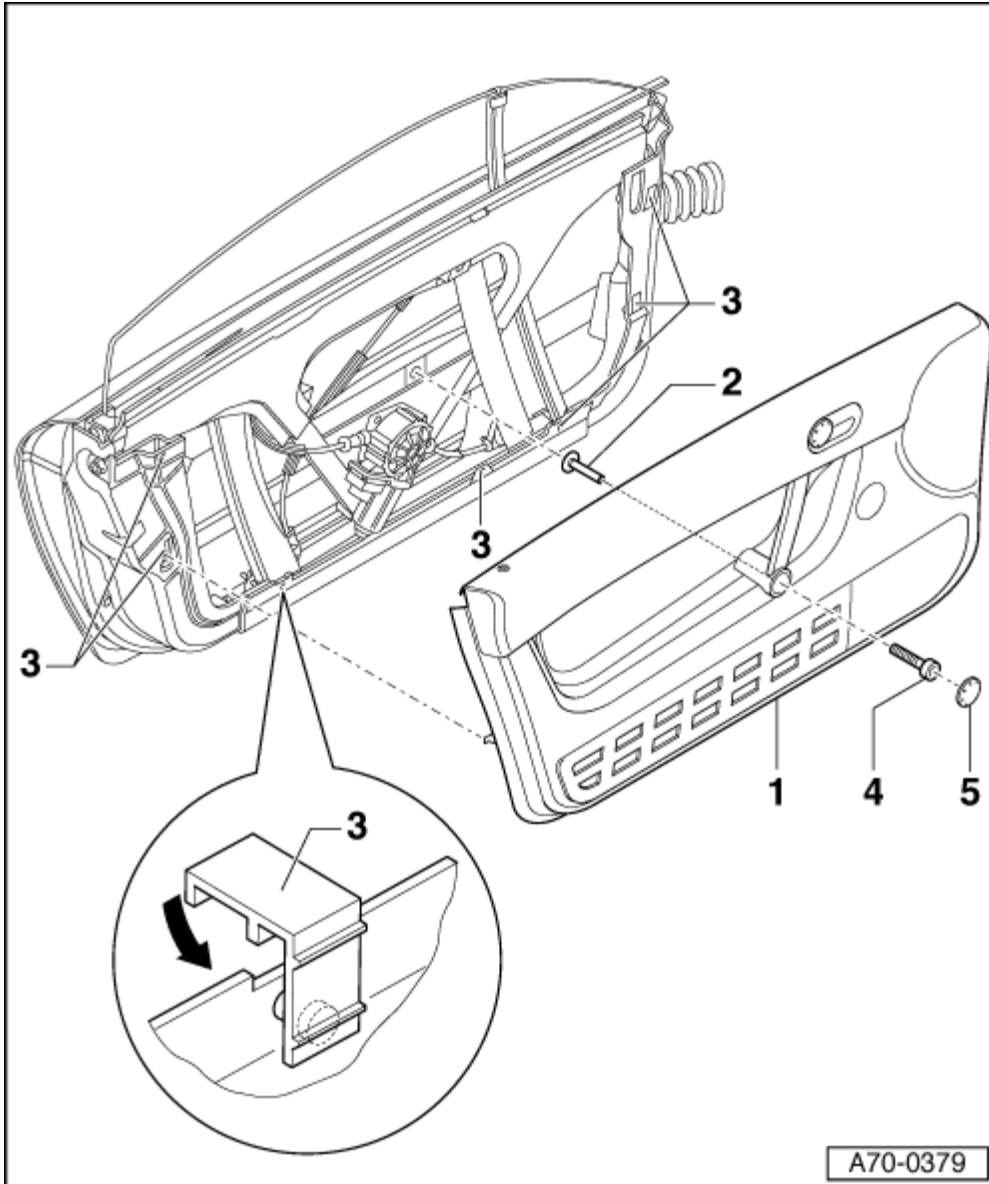


Removing and installing front door trim



1 - Door trim

q Remove cap -5- → [Fig.](#)

q Unscrew bolt -4- (1x).

q Unclip inner and outer transition pieces.

q Lift door trim approx. 20 cm out of door shell.

q Disengage Bowden cable for interior door handle → [Fig.](#)

q Unplug connectors → [Fig.](#)

Pads -3- (7x) for fasteners must be clipped in on installation.

2 - Sleeve

3 - Pads

4 - Bolt

q Tightening torque 7.5 Nm

5 - Cap

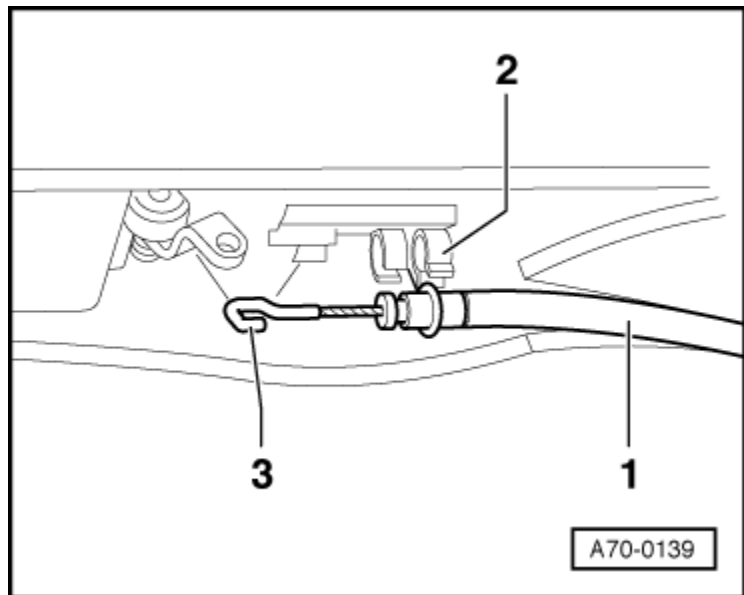
Disengaging Bowden cable

- Pull Bowden cable -1- out of guide -2- and disengage.



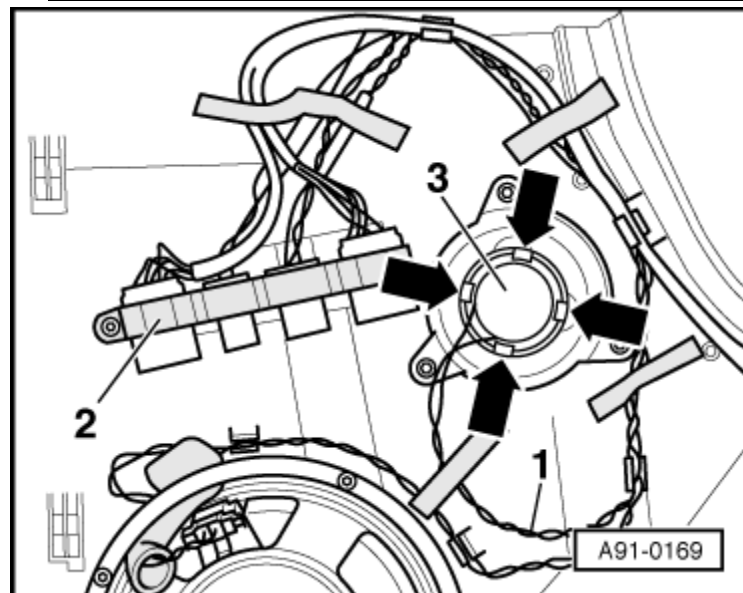
Note

On installation, make sure hook -3- is facing upwards.



Unplugging connectors

- Unplug connectors at Item no. -2-.



Removing cap

- Guide mandrel -2- (Ø max. 2 mm) through hole on underside of switch trim.
- Use mandrel -2- to press lug -3- slightly upwards and at the same time turn cap -1- in direction of arrow.
- Detach cap -1-.

