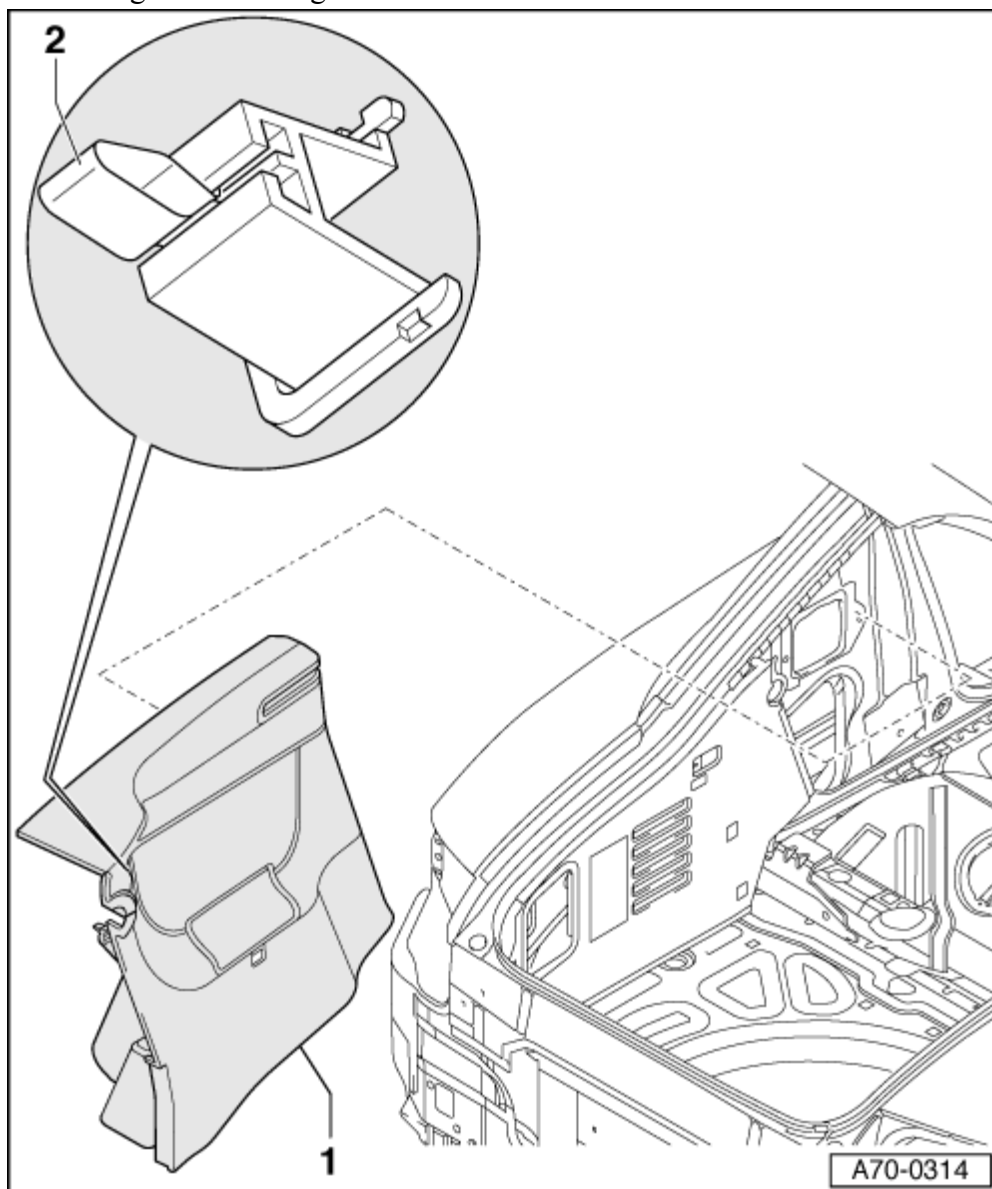


Removing and installing rear side trim



1 - Side trim

q Remove rear seat bench → [Chapter](#) and backrest → [Chapter](#).

q Remove outer seat belt anchorage point → [Fig.](#)

q Remove striker pin of rear seat backrest → [Fig.](#)

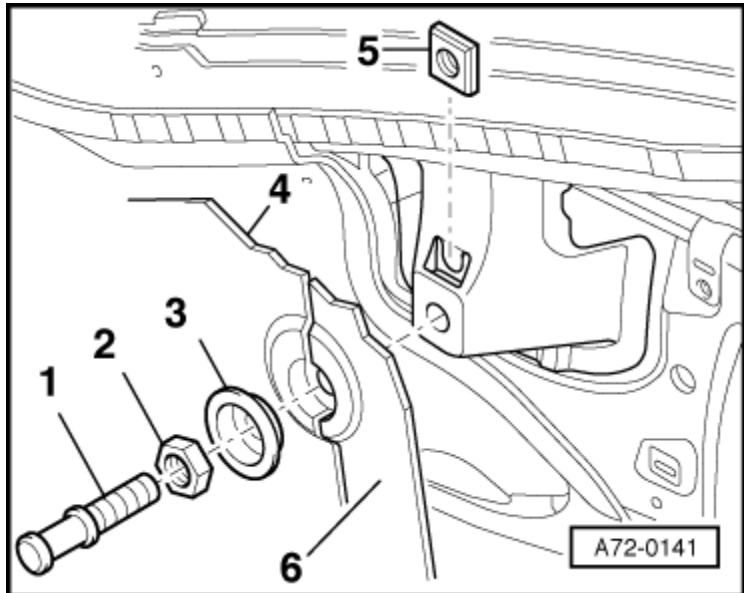
q Starting from top rear, unfasten side trim -1- from clips -2- (8x).

2 - Clips

Removing outer seat belt anchorage point

– Open cover of panel -1- at top in direction of arrow.

- Unscrew bolt.
- Tightening torque 55 Nm



Removing striker pin

- Unfasten nut -2-
- Screw out striker pin -1-
- Adjust striker pin on installation.
- t Luggage compartment side trim -4-
- t Threaded plate -5-
- t Side trim -6-

