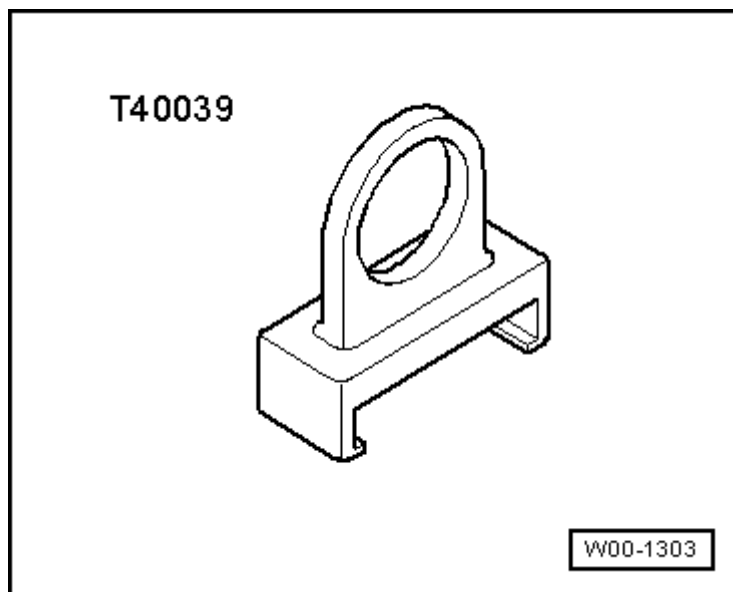


## Removing and installing cylinder head cover

Special tools and workshop equipment required

t Puller -T40039- for vehicles with push-fitted ignition coils

t Sealant → [Parts catalogue](#)

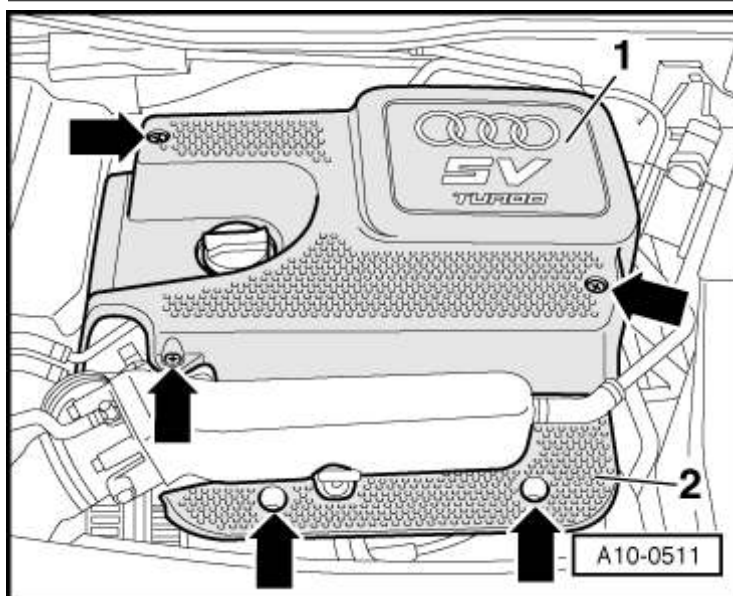


## Removing

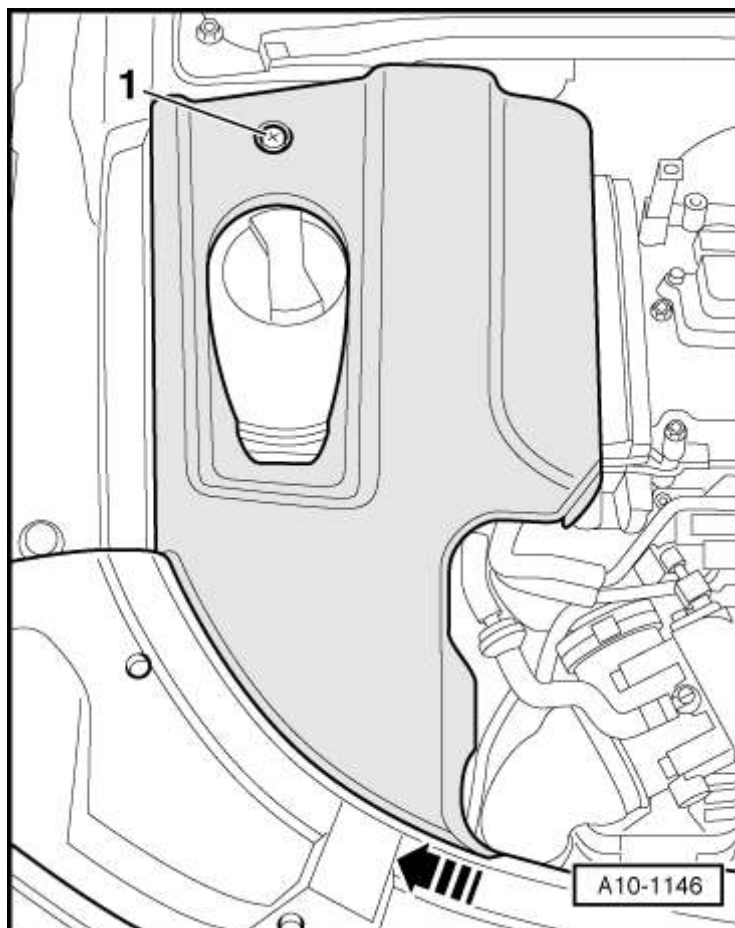
– Remove engine cover panel -1-- arrows-.

 Note

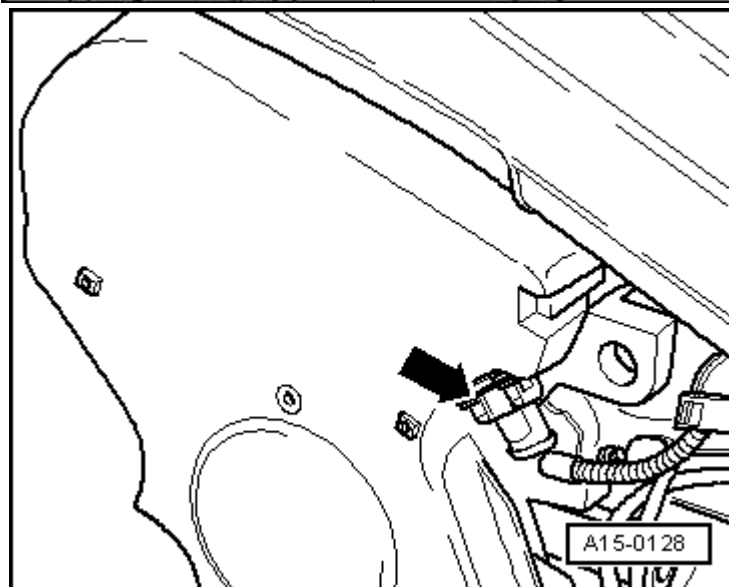
Disregard -item 2-.



– Unscrew bolt -1- and remove cover over coolant expansion tank -arrow-.

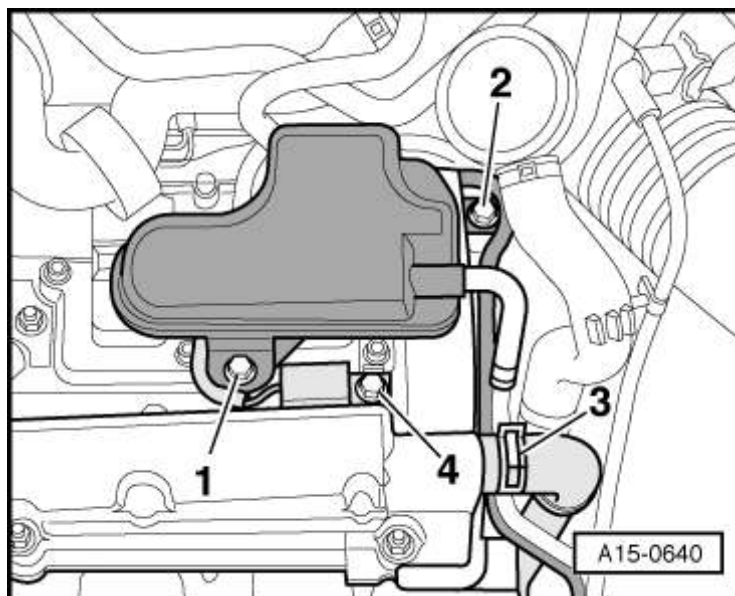


- Unplug electrical connector -arrow- at Hall sender -G40-.
- Remove toothed belt cover (top).



- Disconnect crankcase breather hose -3- at cylinder head cover.
- Unscrew vacuum reservoir -1-, disengage and move clear to one side.
- Unbolt wiring bracket -2- from cylinder head cover.

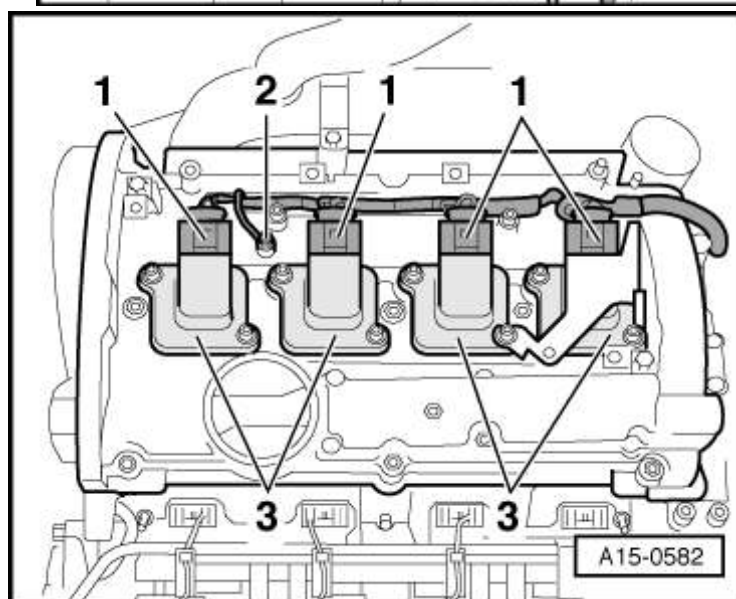
- Detach capacitor -4-



- Disconnect earth cable -2-
- Unplug electrical connectors -1-
- Move wiring clear.

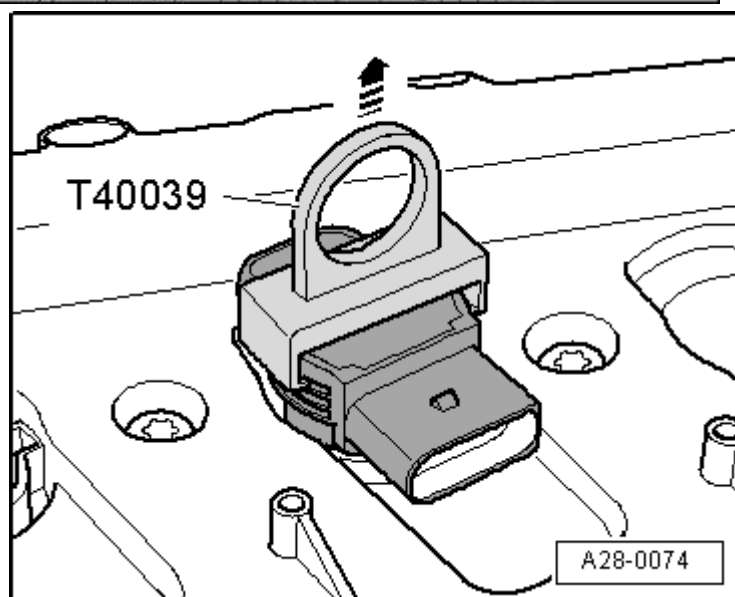
Vehicles with bolted on ignition coils:

- Unbolt ignition coils -3-



Vehicles with push-fitted ignition coils:

- Pull ignition coils out with puller - T40039-



All models:

- Remove toothed belt cover (top).
- Unscrew nuts -arrows- and remove

cylinder head cover.

**Installing**

Installation is carried out in the reverse order; note the following:

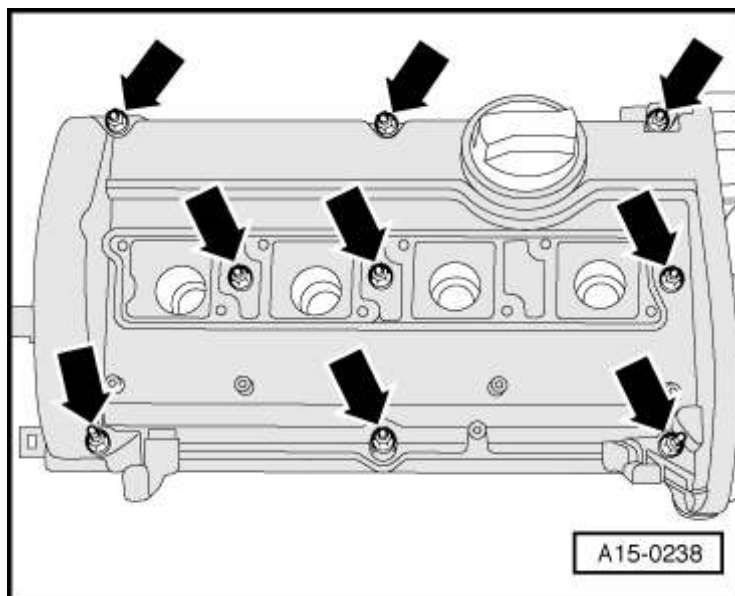


**Note**

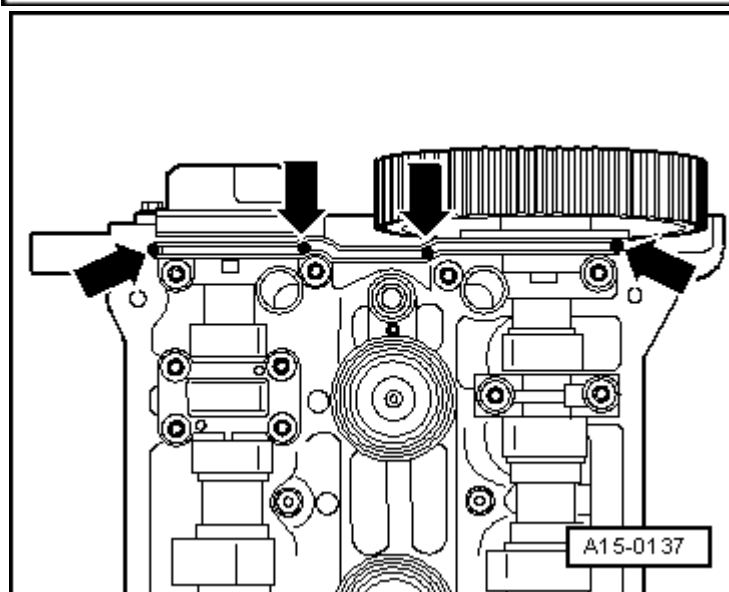
Renew cylinder head cover gaskets if damaged.

Hose connections and hoses for charge air system must be free of oil and grease before assembly.

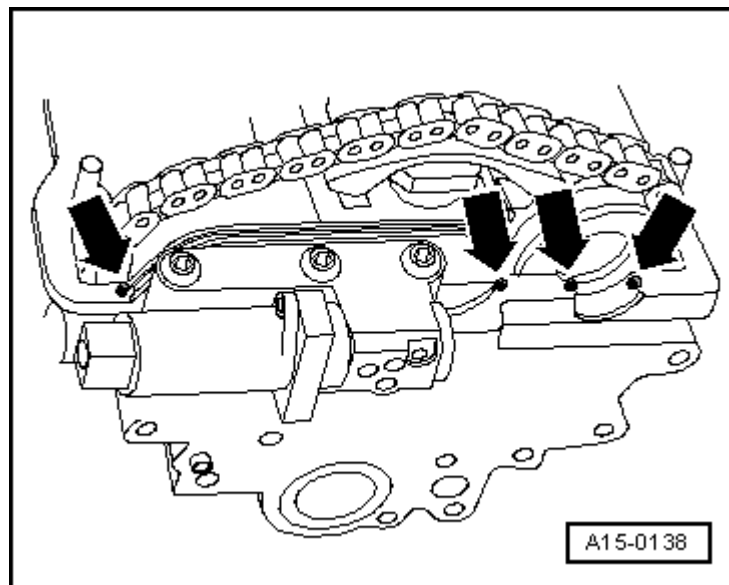
Secure all hose connections with the correct type of hose clips (same as original equipment) → [Parts catalogue](#).



Apply small quantity of sealant to – sealing points -arrows- on top sealing surface of cylinder head; for sealant refer to → [Parts catalogue](#).



Apply small quantity of sealant to – sealing points -arrows- on top sealing surface of cylinder head; for sealant refer to → [Parts catalogue](#).



First tighten inner cylinder head cover – nuts, then tighten outer nuts in diagonal

sequence.

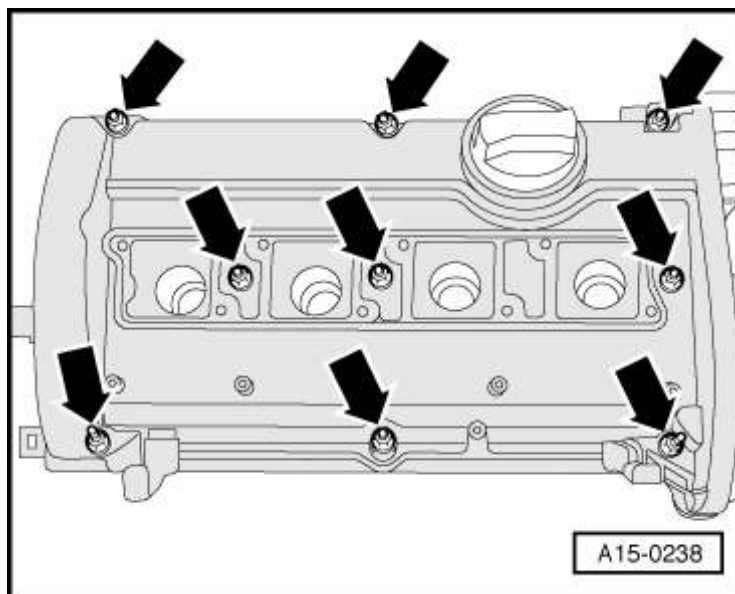
- Make sure toothed belt cover (top) is correctly fitted.
- Install ignition coils → [Rep. Gr.28](#).



**Note**

Renew gaskets for bolted on ignition coils if damaged.

Tightening torques



Component	Nm
Cylinder head cover to cylinder head	10
Retaining strip for heat insulation sleeve to cylinder head cover	10 <sup>1)</sup>
Vacuum reservoir to cylinder head	10
Capacitor to cylinder head cover	10
1 <sup>1)</sup> Install using locking fluid; for locking fluid refer to → <a href="#">Parts catalogue</a> .	